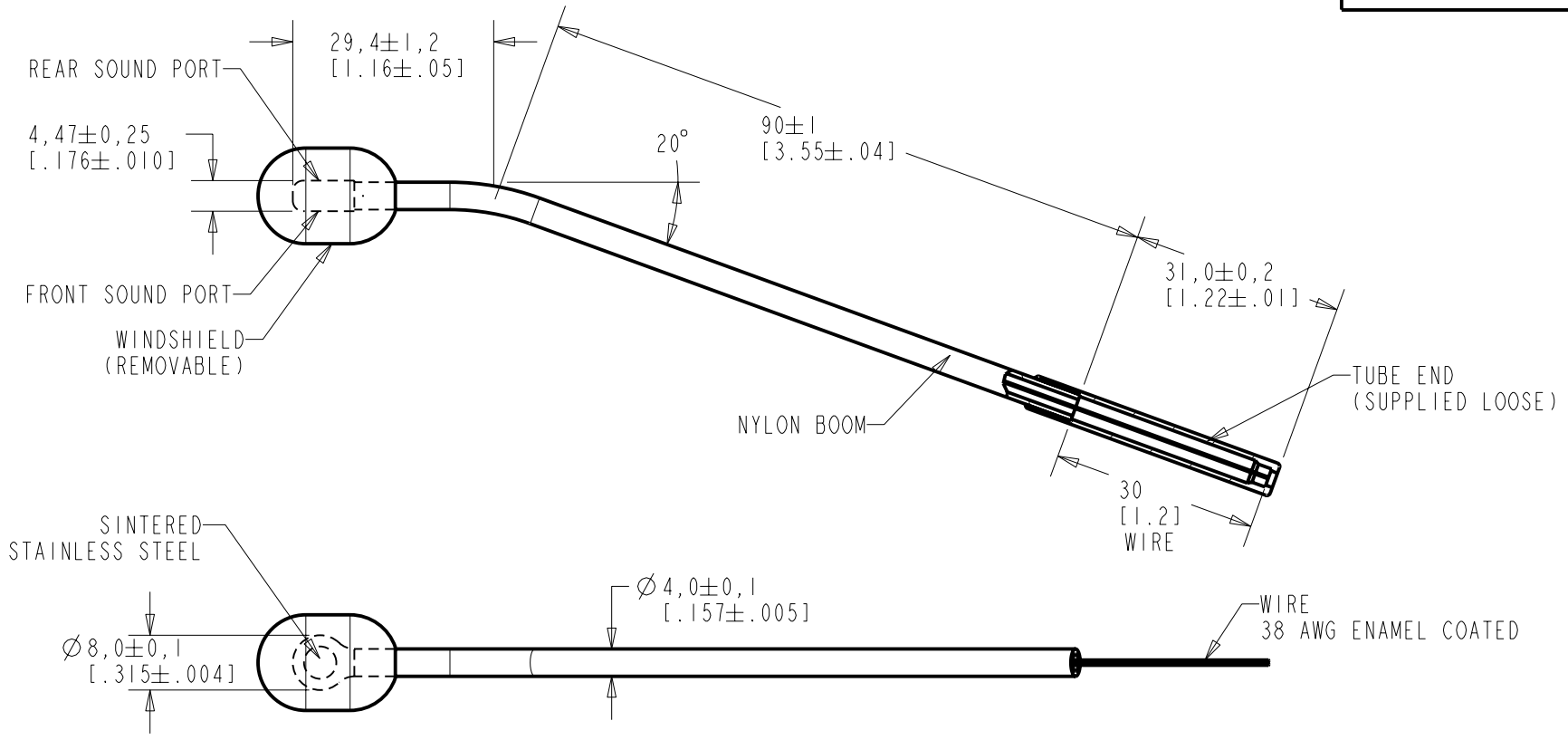


PNR-23539-000
SHT 1.1



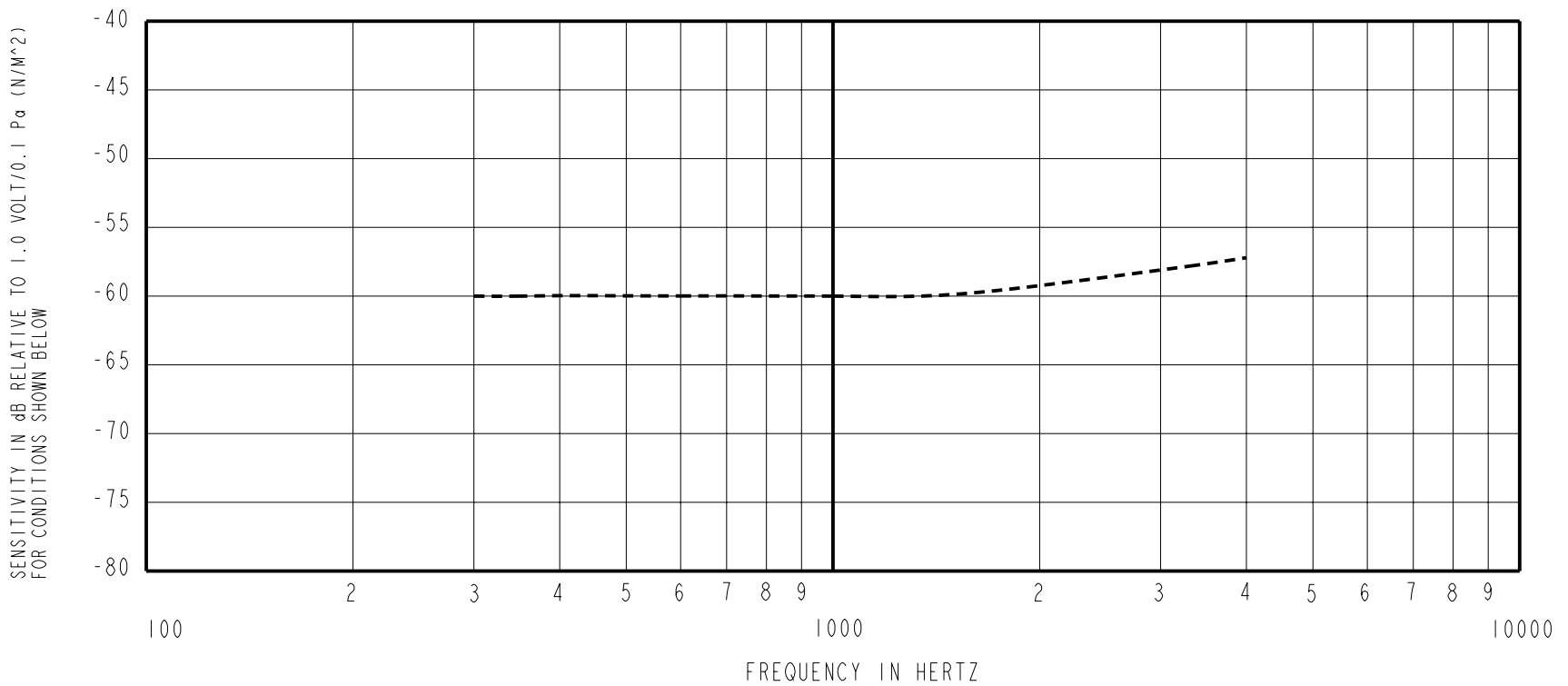
WIRE COLOR		WEIGHT GRAMS
+ve	-ve	
OUTPUT		
RED	BLUE	1.3

DIMENSIONS IN MILLIMETERS [INCHES]

KNOWLES ELECTRONICS
ITASCA, ILLINOIS U.S.A.

Revision	C.O. #	Implementation Date	RELEASE LEVEL	REVISION
B	C10106268		Released	B
A	M10101088	5-5-06		

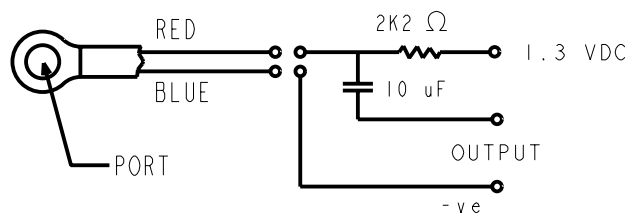
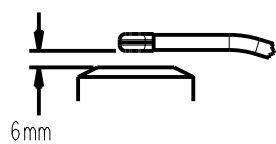
SCALE: 1:1		DR. BY: MMM	DATE: 5-5-06
DO NOT SCALE DRAWING			
TITLE: BOOM MICROPHONE		GJP	5-16-06
OUTLINE DRAWING		APP. BY: GJP	DATE: 5-16-06
PNR-23539-000		SHT 1.1	



NOTES:

- MICROPHONE TO BE FUNCTIONAL WITH 10 VDC SUPPLY.
- SENSITIVITY VALUES INDICATED ON THIS SPECIFICATION ARE VALID AT 50% HUMIDITY.
- SENSITIVITY

FREQUENCY	MIN	NOM	MAX
300	-64.0	-60.0	-56.0
1000	-64.0	-60.0	-56.0
4000	-62.0	-58.0	-54.0
- TEST CONDITIONS:
HEAD OF BOOM EXPOSED TO 94 dBSPL SWEPT SOUND FIELD AT 6mm FROM VOICE APERTURE.
ARTIFICIAL VOICE:
B & K 4227 MOUTH SIMULATOR.
- FOR MICROPHONE CAPSULE SPEC. SEE NR-23160-000 SHEET 2.1



LEAD IDENTIFICATION & TEST CIRCUIT

Revision	C.O. #	Implementation Date	RELEASE LEVEL	REVISION
B	CI0106268		Released	B
A	MI0101088	5-5-06		

KNOWLES ELECTRONICS
ITASCA, ILLINOIS U.S.A.

WHEN TEST LIMITS ARE USED TO ESTABLISH INCOMING INSPECTION ACCEPTANCE/REJECTION CRITERIA, CORRELATION OF TEST EQUIPMENT WITH KNOWLES IS ALSO REQUIRED FOR ELIMINATION OF EQUIPMENT AND TEST METHOD VARIATION

TITLE: **BOOM MICROPHONE** PNR-23539-000
PERFORMANCE SPECIFICATION SHT 2.1

DR. BY	DATE
MMM	5-5-06
CK. BY	DATE
GJP	5-16-06
APP. BY	DATE
GJP	5-16-06